

WHISTLE



**RACING
BIKE**

2021



WHISTLE

RACING BIKE 2021

Prestazioni e leggerezza per spingersi oltre il limite.

Whistle propone per la stagione 2021 una linea di mtb, road e trekking bikes per le competizioni o per uscite in relax.

Whistle opera da sempre prestando la massima attenzione alla qualità e alla sicurezza dei suoi prodotti. Tutte le biciclette rispondono agli standard qualitativi dell'Unione Europea ed i nostri partner di produzione conducono rigorosi controlli come espressamente richiesto dalle norme ISO ed EN.

Performance and reduced weight to push beyond the limit.

Whistle proposes for the 2021 season a range of mtb, road e trekking bikes for competitions and for relaxed rides.

Whistle has always operated with the utmost attention to quality and safety of its products.

Every Whistle bicycle complies with the qualitative standard by European Union.

In our laboratories many tests are performed as expressly requested by the ISO and EN standards.

CONTENT

5 E-BIKE

28 MTB FULL SUSPENDED

31 MTB HARDTAIL

49 ROAD

52 TREKKING

E-BIKE

FULL

SUSPENDED

Pedalare fino alla cima e attaccare velocemente le discese più tecniche alla massima velocità. Sono costruite per le competizioni, ma grazie alle robuste sospensioni, sono agili e divertenti anche sui sentieri vicino a casa.

Ride to the top and quickly attack the most technical descents at maximum speed. Are built for competitions but thanks to the sturdy suspensions, they are agile and fun even on trails near home. Benefit from a finely balanced system that delivers maximum performance for a sporty riding style.



TECHNOLOGIES

B R U S H C A R B O N

Nuove frontiere, nuovi obiettivi da raggiungere, nuove opportunità.

Un telaio in carbonio pensato per mantenere la rigidità che contraddistingue questo materiale, ma realizzato per resistere a potenze di picco elevate, generate sia dal ciclista che dal motore.

Un telaio progettato per combinare le performance muscolari ed elettriche in un tutt'uno senza soluzione di continuità.

New frontiers, new goals to be achieved, new opportunities. A carbon frame designed to maintain the rigidity that distinguishes this material, but designed to withstand high peak power, generated both by the rider and the drive unit.

A frame designed to combine muscular and electrical performance in a seamless way.





LEGGERO E RIGIDO

Il telaio monoscocca è realizzato da uno stampo unico, quindi non ci sono giunzioni tra i tubi, come incollaggi o fasciature o saldature (alluminio), dove si concentrano gli sforzi della struttura.

Vantaggio per eccellenza: il peso. La lavorazione in uno stampo unico di grandi dimensioni permette di trattare la struttura come se fosse un tubo unico.

Il principale valore della fibra di carbonio è che può essere orientata in modo da fornire rigidità o flessibilità nei punti critici del telaio a seconda delle esigenze progettuali. Questo consente di creare telai molto reattivi ma anche in grado di assorbire le vibrazioni e allo stesso tempo di risparmiare materiale laddove non serve riducendo in questo modo il peso.

LIGHTER AND STIFFER

The monocoque frame is made from a single mold, there are no joints between the pipes, such as gluing or bandages or welds (aluminum), where the efforts of the structure are concentrated.

Advantage par excellence: weight. Processing in a single large mold allows the structure to be treated as if it were a single tube.

The main value of carbon fiber is that it can be oriented so as to provide stiffness or flexibility in the critical points of the frame according to the design needs. This allows you to create frames that are very reactive but also capable of absorbing vibrations and at the same time saving material where it is not needed, thus reducing weight.

B-RUSH C9.1



PERFORMANCE CX CRUISE

POWERTUBE 625

KIOX

29"

12 S



FRAME	Full Carbon 29"; Toray T700, integrated battery, tapered, Rear travel 150 mm, 12x148 mm E-Thru
FORK	Fox 38 Float Performance, 150 mm, Air, Tapered, FIT4, 3Pos-Adj, 15x110 mm, E-Bike chassis
REAR SHOCK	Fox Float X2 Performance, LSC, LSR, 230x65
HEADSET	FSA No.57E tapered 1 1/2
CRANKSET	Miche Black Box, FSA 36T MegaTooth
REAR DERAILLEUR	Shimano XT RD-M8100 SGS, Shadow Plus
SHIFTERS LEVERS	Shimano XT SL-M8100 Rapidfire-Plus, 12s
BRAKES	Shimano XT BR-M8120, Four piston, Rotor RT-MT800 203 mm/203 mm
CASSETTE	Shimano CS-M7100 12s 10/51
PEDALS	Alu MTB Full
WHEELS	Shimano XT WH-M8120
STEM	Race Face Chester, 40 mm, Bar bore 35 mm
HANDLEBAR	Race Face Chester, 780 mm, Rise 20
SEATPOST	Race Face Aeffect R, 31,6 mm, remote
SADDLE	Fizik Taiga
TYRES	F: Schwalbe Magic Mary Evo, Addix Soft, Super Trail, 29"x2,60" R: Schwalbe Eddy Current Rear Evo, Addix Soft, Super Gravity, 29"x2,60"

MOTOR	Performance CX 36 V, 250 W
MAX TORQUE	85 Nm
SENSOR TYPE	Torque
BATTERY	Powertube 625 Horizontal, frametype, weight 3,5 kg
CHARGER TYPE	4 A
CHARGE TIME	Up to 5 hours
MAX ASSISTED SPEED	25 km/h
DISPLAY	KIOX
POWER	Eco: 60 % Tour: 140 % EMTB: 140 / 340 % Turbo: 340 %

CARBON MATT/CHROME	
16" - 40 cm	0116830100
17,5" - 44 cm	0116830110
19" - 48 cm	0116830120
20,5" - 52 cm	0116830130

WEIGHT	Kg 25,3
---------------	---------

WHISTLE

B-RUSH C8.1



PERFORMANCE CX CRUISE

POWERTUBE 625

KIOX

29"

12 S



FRAME	Full Carbon 29"; Toray T700, integrated battery, tapered, Rear travel 150 mm, 12x148 mm E-Thru
FORK	Fox 36 Float Rhythm, 150 mm, Air, Tapered, FIT GRIP Sweep-Adj, 15x110 mm, E-Bike chassis
REAR SHOCK	Fox Float DPX2 Performance, EVOL, LV, 3-Pos, 230x65 mm
HEADSET	FSA No.57E tapered 1"1/2
CRANKSET	Miche Black Box, FSA 34T MegaTooth
REAR DERAILLEUR	Shimano XT RD-M8100 SGS, Shadow Plus
SHIFTERS LEVERS	Shimano SLX SL-M7100 Rapidfire-Plus, 12s
BRAKES	Shimano BR-MT520, Four piston, Rotor SM-RT30 203 mm/203 mm
CASSETTE	Shimano CS-M6100 12s 10/51
PEDALS	Alu MTB Full
WHEELS	Shimano SLX WH-MT620
STEM	Alu Oversize, 35 mm, Bar bore 31,8 mm
HANDLEBAR	Rise Alu Oversize, 780 mm
SEATPOST	Dropper DP01, 31,6 mm, remote
SADDLE	Whistle Performance
TYRES	F: Schwalbe Magic Mary Evo, Addix Soft, Super Trail, 29"x2,60" R: Schwalbe Hans Dampf Evo, Addix Soft, Super Trail, 29"x2,60"

MOTOR	Performance CX 36 V, 250 W
MAX TORQUE	85 Nm
SENSOR TYPE	Torque
BATTERY	Powertube 625 Horizontal, frametype, weight 3,5 kg
CHARGER TYPE	4 A
CHARGE TIME	Up to 5 hours
MAX ASSISTED SPEED	25 km/h
DISPLAY	KIOX
POWER	Eco: 60 % Tour: 140 % EMTB: 140 / 340 % Turbo: 340 %

CARBON MATT/BLACK

16" - 40 cm	0116830200
17,5" - 44 cm	0116830210
19" - 48 cm	0116830220
20,5" - 52 cm	0116830230

WEIGHT Kg 24,9

WHISTLE

B-RUSH C7.1



PERFORMANCE CX CRUISE

POWERTUBE 625

PURION

29"

12 S



FRAME	Full Carbon 29", Toray T700, integrated battery, tapered, Rear travel 150 mm, 12x148 mm E-Thru
FORK	Fox 34 Float Rhythm, 140 mm, Air, Tapered, FIT GRIP Sweep-Adj, 15x110 mm, E-Bike chassis
REAR SHOCK	Rock Shox Deluxe Select R, DebonAir, 230x65 mm
HEADSET	FSA No.57E tapered 1 1/2
CRANKSET	Miche Black Box, FSA 34T
REAR DERAILLEUR	Shimano XT RD-M8100 SGS, Shadow Plus
SHIFTERS LEVERS	Shimano SLX SL-M7100 Rapidfire-Plus, 12s
BRAKES	Shimano BR-MT420, Four piston, Rotor SM-RT30 203 mm/203 mm
CASSETTE	Shimano CS-M6100 12s 10/51
PEDALS	Alu MTB Full
FRONT HUB	Shimano Alivio MT400, 15x110, CL, 32h
REAR HUB	Shimano Alivio MT410, 12x148, CL, MicroSpline, 32h
RIMS	Radiale X30, 30x622, eBike ready, Asymmetric
STEM	Alu Oversize, 35 mm, Bar bore 31,8 mm
HANDLEBAR	Rise Alu Oversize, 780 mm
SEATPOST	Dropper DP01, 31,6 mm, remote
SADDLE	Whistle Performance
TYRES	Schwalbe Nobby Nic, Performance, Addix, 29"x2,60"

MOTOR	Performance CX 36 V, 250 W
MAX TORQUE	85 Nm
SENSOR TYPE	Torque
BATTERY	Powertube 625 Horizontal, frametype, weight 3,5 kg
CHARGER TYPE	4 A
CHARGE TIME	Up to 5 hours
MAX ASSISTED SPEED	25 km/h
DISPLAY	PURION
POWER	Eco: 60 % Tour: 140 % EMTB: 140 / 340 % Turbo: 340 %

CARBON MATT/CHROME

16" - 40 cm	0116830350
17,5" - 44 cm	0116830360
19" - 48 cm	0116830370
20,5" - 52 cm	0116830380

WEIGHT Kg 24,4

WHISTLE

B-RUSH C6.1



PERFORMANCE CX CRUISE

POWERTUBE 625

PURION

29"

12 S



FRAME	Full Carbon 29", Toray T700, integrated battery, tapered, Rear travel 150 mm, 12x148 mm E-Thru
FORK	Rock Shox 35 Gold RL, 150 mm, Maxle Lite 15x110 mm, DebonAir, Motion Control, Tapered, Lockout, E-Bike
REAR SHOCK	Rock Shox Deluxe Select R, DebonAir, 230x65 mm
HEADSET	FSA No.57B tapered 1 1/2
CRANKSET	FSA, 34T MegaTooth
REAR DERAILLEUR	Sram SX Eagle
SHIFTERS LEVERS	Sram SX Eagle Single Click Trigger, 12s
BRAKES	Shimano BR-MT420, Four piston, Rotor SM-RT30 203 mm/203 mm
CASSETTE	Sram PG1210 Eagle 12s, 11/50
PEDALS	Alu MTB Full
FRONT HUB	Shimano Alivio MT400, 15x110, CL, 32h
REAR HUB	Shimano Alivio MT400, 12x148, CL, HG, 32h
RIMS	Radiale X30, 30x622, eBike ready, Asymmetric
STEM	Alu Oversize, 35 mm, Bar bore 31,8 mm
HANDLEBAR	Rise Alu Oversize, 780 mm
SEATPOST	Dropper DP01, 31,6 mm, remote
SADDLE	Whistle Performance
TYRES	Schwalbe Nobby Nic, Performance, Addix, 29"x2,60"

MOTOR	Performance CX 36 V, 250 W
MAX TORQUE	85 Nm
SENSOR TYPE	Torque
BATTERY	Powertube 625 Horizontal, frametype, weight 3,5 kg
CHARGER TYPE	2 A
CHARGE TIME	Up to 9 hours
MAX ASSISTED SPEED	25 km/h
DISPLAY	PURION
POWER	Eco: 60 % Tour: 140 % EMTB: 140 / 340 % Turbo: 340 %

CARBON MATT/FANCY BLUE

16" - 40 cm	0116830400
17,5" - 44 cm	0116830410
19" - 48 cm	0116830420
20,5" - 52 cm	0116830430

WEIGHT Kg 24,5

WHISTLE

B-RUSH C4.1



PERFORMANCE CX CRUISE

POWERTUBE 500

PURION

29"

12 S



FRAME	Full Carbon 29", Toray T700, integrated battery, tapered, Rear travel 150 mm, 12x148 mm E-Thru
FORK	Rock Shox 35 Gold RL, 150 mm, Maxle Lite 15x110 mm, DebonAir, Motion Control, Tapered, Lockout, E-Bike
REAR SHOCK	Rock Shox Deluxe Select R, DebonAir, 230x65 mm
HEADSET	FSA No.57B tapered 1 1/2
CRANKSET	FSA, 34T
REAR DERAILLEUR	Shimano Deore RD-M6100 SGS, Shadow Plus
SHIFTERS LEVERS	Shimano Deore SL-M6100 Rapidfire-Plus, 12s
BRAKES	Shimano BR-MT420, Four piston, Rotor SM-RT30 203 mm/203 mm
CASSETTE	Shimano CS-M6100 12s 10/51
PEDALS	Alu MTB Full
FRONT HUB	Shimano Alivio MT400, 15x110, CL, 32h
REAR HUB	Shimano Alivio MT410, 12x148, CL, MicroSpline, 32h
RIMS	Radiale X30, 30x622, eBike ready, Asymmetric
STEM	Alu Oversize, 35 mm, Bar bore 31,8 mm
HANDLEBAR	Rise Alu Oversize, 780 mm
SEATPOST	Dropper DP01, 31,6 mm, remote
SADDLE	Whistle Performance
TYRES	Schwalbe Nobby Nic, Performance, Addix, 29"x2,60"

MOTOR	Performance CX 36 V, 250 W
MAX TORQUE	85 Nm
SENSOR TYPE	Torque
BATTERY	Powertube 500 Horizontal, frametype, weight 2,8 kg
CHARGER TYPE	2 A
CHARGE TIME	Up to 7,5 hours
MAX ASSISTED SPEED	25 km/h
DISPLAY	PURION
POWER	Eco: 60 % Tour: 140 % EMTB: 140 / 340 % Turbo: 340 %

CARBON MATT/BLACK

16" - 40 cm	0116830500
17,5" - 44 cm	0116830510
19" - 48 cm	0116830520
20,5" - 52 cm	0116830530

WEIGHT Kg 23,9



B-RUSH A9.1



PERFORMANCE CX CRUISE

POWERTUBE 625

KIOX

29"

12 S



FRAME	Alu, 29", hydroformed, integrated battery, tapered, Rear travel 150 mm, 12x148 mm
FORK	Rock Shox 35 Gold RL, 150 mm, Maxle Lite 15x110 mm, DebonAir, Motion Control, Tapered, Lockout, E-Bike
REAR SHOCK	Rock Shox Monarch R, SoloAir, 200x57 mm
HEADSET	FSA No.57B tapered 1 1/2
CRANKSET	FSA, 34T
REAR DERAILLEUR	Shimano XT RD-M8100 SGS, Shadow Plus
SHIFTERS LEVERS	Shimano Deore SL-M6100 Rapidfire-Plus, 12s
BRAKES	Shimano BR-MT420, Four piston, Rotor SM-RT30 203 mm/203 mm
CASSETTE	Shimano CS-M6100 12s 10/51
PEDALS	Alu MTB Full
FRONT HUB	Shimano Alivio MT400, 15x110, CL, 32h
REAR HUB	Shimano Alivio MT410, 12x148, CL, MicroSpline, 32h
RIMS	Radiale X25, 25x622, eBike ready, Asymmetric
STEM	Alu Oversize, 35 mm, Bar bore 31,8 mm
HANDLEBAR	Rise Alu Oversize, 780 mm
SEATPOST	Dropper DP01, 31,6 mm, remote
SADDLE	Whistle Performance
TYRES	Schwalbe Nobby Nic, Performance, Addix, 29"x2,60"

MOTOR	Performance CX 36 V, 250 W
MAX TORQUE	85 Nm
SENSOR TYPE	Torque
BATTERY	Powertube 625 Horizontal, frametype, weight 3,5 kg
CHARGER TYPE	2 A
CHARGE TIME	Up to 9 hours
MAX ASSISTED SPEED	25 km/h
DISPLAY	KIOX
POWER	Eco: 60 % Tour: 140 % EMTB: 140 / 340 % Turbo: 340 %

PASTEL BLUE MATT/PASTEL LIGHT GREY

16" - 40 cm	0116830800
17,5" - 44 cm	0116830810
19" - 48 cm	0116830820
20,5" - 52 cm	0116830830

WEIGHT Kg 26,5

WHISTLE

B-RUSH A8.1



PERFORMANCE CX CRUISE

POWERTUBE 625

PURION

29"

12 S



FRAME	Alu, 29", hydroformed, integrated battery, tapered, Rear travel 150 mm, 12x148 mm
FORK	Rock Shox 35 Gold RL, 150 mm, Maxle Lite 15x110 mm, DebonAir, Motion Control, Tapered, Lockout, E-Bike
REAR SHOCK	Rock Shox Monarch R, SoloAir, 200x57 mm
HEADSET	FSA No.57B tapered 1 1/2
CRANKSET	FSA, 34T, Megatooth
REAR DERAILLEUR	Sram SX Eagle
SHIFTERS LEVERS	Sram SX Eagle Single Click Trigger, 12s
BRAKES	Shimano BR-MT420, Four piston, Rotor SM-RT30 203 mm/203 mm
CASSETTE	Sram PG1210 Eagle 12s, 11/50
PEDALS	Alu MTB Full
FRONT HUB	Shimano Alivio MT400, 15x110, CL, 32h
REAR HUB	Shimano Alivio MT400, 12x148, CL, HG, 32h
RIMS	Radiale X25, 25x622, eBike ready, Asymmetric
STEM	Alu Oversize, 35 mm, Bar bore 31,8 mm
HANDLEBAR	Rise Alu Oversize, 780 mm
SEATPOST	Dropper DP01, 31,6 mm, remote
SADDLE	Whistle Performance
TYRES	Schwalbe Nobby Nic, Performance, Addix, 29"x2,60"

MOTOR	Performance CX 36 V, 250 W
MAX TORQUE	85 Nm
SENSOR TYPE	Torque
BATTERY	Powertube 625 Horizontal, frametype, weight 3,5 kg
CHARGER TYPE	2 A
CHARGE TIME	Up to 9 hours
MAX ASSISTED SPEED	25 km/h
DISPLAY	PURION
POWER	Eco: 60 % Tour: 140 % EMTB: 140 / 340 % Turbo: 340 %

BLACK MATT/ORANGE

16" - 40 cm	0116830900
17,5" - 44 cm	0116830910
19" - 48 cm	0116830920
20,5" - 52 cm	0116830930

WEIGHT Kg 26,8

WHISTLE

B-RUSH A7.1



PERFORMANCE CX CRUISE

POWERTUBE 625

PURION

29"

12 S



FRAME	Alu, 29", hydroformed, integrated battery, tapered, Rear travel 150 mm, 12x148 mm
FORK	Rock Shox Judy Silver TK, 130 mm, Maxle Lite 15x110 mm, SoloAir, Tapered, Lockout, E-Bike
REAR SHOCK	Rock Shox Monarch R, SoloAir, 200x57 mm
HEADSET	FSA No.57B tapered 1 1/2
CRANKSET	FSA, 34T, Megatooth
REAR DERAILLEUR	Sram SX Eagle
SHIFTERS LEVERS	Sram SX Eagle Single Click Trigger, 12s
BRAKES	Shimano BR-MT420, Four piston, Rotor SM-RT30 203 mm/203 mm
CASSETTE	Sram PG1210 Eagle 12s, 11/50
PEDALS	Alu MTB Full
FRONT HUB	Shimano Alivio MT400, 15x110, CL, 32h
REAR HUB	Shimano Alivio MT400, 12x148, CL, HG, 32h
RIMS	Radiale X25, 25x622, eBike ready, Asymmetric
STEM	Alu Oversize, 35 mm, Bar bore 31,8 mm
HANDLEBAR	Rise Alu Oversize, 780 mm
SEATPOST	Dropper DP01, 31,6 mm, remote
SADDLE	Whistle Performance
TYRES	Schwalbe Nobby Nic, Performance, Addix, 29"x2,60"

MOTOR	Performance CX 36 V, 250 W
MAX TORQUE	85 Nm
SENSOR TYPE	Torque
BATTERY	Powertube 625 Horizontal, frametype, weight 3,5 kg
CHARGER TYPE	2 A
CHARGE TIME	Up to 9 hours
MAX ASSISTED SPEED	25 km/h
DISPLAY	PURION
POWER	Eco: 60 % Tour: 140 % EMTB: 140 / 340 % Turbo: 340 %

DARK BLUE MATT/CHROME

16" - 40 cm	0116831000
17,5" - 44 cm	0116831010
19" - 48 cm	0116831020
20,5" - 52 cm	0116831030

WEIGHT Kg 26,8

WHISTLE

B-RUSH A6.1



PERFORMANCE CX CRUISE

POWERTUBE 500

PURION

29"

12 S



FRAME	Alu, 29", hydroformed, integrated battery, tapered, Rear travel 150 mm, 12x148 mm
FORK	Suntour XCM34, 130 mm, 15x110 mm, Coil, Tapered, Lockout
REAR SHOCK	Rock Shox Monarch R, SoloAir, 200x57 mm
HEADSET	FSA No.57B tapered 1 1/2
CRANKSET	FSA, 34T
REAR DERAILLEUR	Shimano Deore RD-M6100 SGS, Shadow Plus
SHIFTERS LEVERS	Shimano Deore SL-M6100 Rapidfire-Plus, 12s
BRAKES	Shimano BR-MT410, Two piston, Rotor SM-RT30 203 mm/203 mm
CASSETTE	Shimano CS-M6100 12s 10/51
PEDALS	Alu MTB Full
FRONT HUB	Shimano Alivio MT400, 15x110, CL, 32h
REAR HUB	Shimano Alivio MT410, 12x148, CL, MicroSpline, 32h
RIMS	Radiale X25, 25x622, eBike ready, Asymmetric
STEM	Alu Oversize, 35 mm, Bar bore 31,8 mm
HANDLEBAR	Alu Low Rise, 720 mm
SEATPOST	Dropper DP01, 31,6 mm, remote
SADDLE	Whistle Performance
TYRES	Schwalbe Smart Sam, Performance, Addix, 29"x2,35"

MOTOR	Performance CX 36 V, 250 W
MAX TORQUE	85 Nm
SENSOR TYPE	Torque
BATTERY	Powertube 500 Horizontal, frametype, weight 2,8 kg
CHARGER TYPE	2 A
CHARGE TIME	Up to 7,5 hours
MAX ASSISTED SPEED	25 km/h
DISPLAY	PURION
POWER	Eco: 60 % Tour: 140 % EMTB: 140 / 340 % Turbo: 340 %

PASTEL BLUE MATT/PASTEL LIGHT GREY

16" - 40 cm	0116831100
17,5" - 44 cm	0116831110
19" - 48 cm	0116831120
20,5" - 52 cm	0116831130

WEIGHT Kg 26

WHISTLE

B-RUSH A5.1



PERFORMANCE CX CRUISE

POWERTUBE 500

PURION

29"

10 S



FRAME	Alu, 29", hydroformed, integrated battery, tapered, Rear travel 150 mm, 12x148 mm
FORK	Suntour XCM34, 130 mm, 15x110 mm, Coil, Tapered, Lockout
REAR SHOCK	Suntour Raidon, 230x65 mm
HEADSET	FSA No.57B tapered 1 1/2
CRANKSET	FSA, 34T
REAR DERAILLEUR	Shimano Deore RD-M5120, Shadow Plus
SHIFTERS LEVERS	Shimano Deore SL-M4100 Rapidfire-Plus, 10s
BRAKES	Shimano BR-MT200, Rotor SM-RT10 180 mm/180 mm
CASSETTE	Shimano CS-M4100 10s 11/46
PEDALS	Alu MTB Full
FRONT HUB	Shimano Alivio MT400, 15x110, CL, 32h
REAR HUB	Shimano Alivio MT400, 12x148, CL, HG, 32h
RIMS	Radiale X25, 25x622, eBike ready, Asymmetric
STEM	Alu Oversize, 35 mm, Bar bore 31,8 mm
HANDLEBAR	Alu Low Rise, 720 mm
SEATPOST	Alu 31,6 mm
SADDLE	Whistle Performance
TYRES	Schwalbe Smart Sam, Performance, Addix, 29"x2,35"

MOTOR	Performance CX 36 V, 250 W
MAX TORQUE	85 Nm
SENSOR TYPE	Torque
BATTERY	Powertube 500 Horizontal, frametype, weight 2,8 kg
CHARGER TYPE	2 A
CHARGE TIME	Up to 7,5 hours
MAX ASSISTED SPEED	25 km/h
DISPLAY	PURION
POWER	Eco: 60 % Tour: 140 % EMTB: 140 / 340 % Turbo: 340 %

BLACK MATT/ORANGE

16" - 40 cm	0116831200
17,5" - 44 cm	0116831210
19" - 48 cm	0116831220
20,5" - 52 cm	0116831230

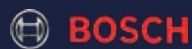
WEIGHT Kg 26

E-BIKE

E HARDTAIL

Pedalare fino alla cima e attaccare velocemente le discese più tecniche alla massima velocità. Le nostre eEnduro sono costruite per le competizioni, ma grazie alle robuste sospensioni, sono agili e divertenti anche sui sentieri vicino a casa.

Ride to the top and quickly attack the most technical descents at maximum speed. Our eMtb's are built for E-Enduro competitions but thanks to the sturdy suspensions, they are agile and fun even on trails near home.



B-RACE A9.1



PERFORMANCE CX CRUISE

POWERTUBE 625

PURION

29"

12 S



FRAME	Alu 29", hydroformed, integrated battery, tapered, Internal routing, Forged interface
FORK	Suntour XCR32, 100 mm, Coil, 15x100, Tapered, Lockout
HEADSET	Acros AZF-581, 1,5", Internal routing
CRANKSET	FSA, 34T, Megatooth
REAR DERAILLEUR	Sram SX Eagle
SHIFTERS LEVERS	Sram SX Eagle Single Click Trigger, 12s
BRAKES	Shimano BR-MT200, Rotor SM-RT10 180 mm/180 mm
CASSETTE	Sram PG1210 Eagle 12s, 11/50
PEDALS	Alu MTB
FRONT HUB	Shimano Alivio MT400, 15x100, CL, 32h
REAR HUB	Shimano TX505, CL, HG, 32h
RIMS	Radiale E25V, 25x622, eBike ready
STEM	Satori Viper0, 31,8 mm, Internal routing
HANDLEBAR	Alu Low Rise, 720 mm
SEATPOST	Alu 31,6 mm
SADDLE	Selle Royal Sauris
TYRES	Schwalbe Smart Sam, Performance, Addix, 29"x2,35"

MOTOR	Performance CX 36 V, 250 W
MAX TORQUE	85 Nm
SENSOR TYPE	Torque
BATTERY	Powertube 625 Horizontal, frametype, weight 3,5 kg
CHARGER TYPE	2 A
CHARGE TIME	Up to 9 hours
MAX ASSISTED SPEED	25 km/h
DISPLAY	PURION
POWER	Eco: 60 % Tour: 140 % EMTB: 140 / 340 % Turbo: 340 %

ANTHRACITE/BLACK MATT

16" - 40 cm	0116832000
18" - 46 cm	0116832010
20" - 50 cm	0116832020

WEIGHT Kg 27,5

WHISTLE

B-RACE A8.1



PERFORMANCE CX CRUISE

POWERTUBE 500

PURION

29"

12 S



FRAME	Alu 29", hydroformed, integrated battery, tapered, Internal routing, Forged interface
FORK	Suntour XCR32, 100 mm, Coil, Tapered, Lockout
HEADSET	Acros AZF-581, 1,5", Internal routing
CRANKSET	FSA, 34T, Megatooth
REAR DERAILLEUR	Sram SX Eagle
SHIFTERS LEVERS	Sram SX Eagle Single Click Trigger, 12s
BRAKES	Shimano BR-MT200, Rotor SM-RT10 180 mm/180 mm
CASSETTE	Sram PG1210 Eagle 12s, 11/50
PEDALS	Alu MTB
FRONT HUB	Shimano TX505, CL, 32h
REAR HUB	Shimano TX505, CL, HG, 32h
RIMS	Radiale E25V, 25x622, eBike ready
STEM	Satori Viper0, 31,8 mm, Internal routing
HANDLEBAR	Alu Low Rise, 720 mm
SEATPOST	Alu 31,6 mm
SADDLE	Selle Royal Sauris
TYRES	Schwalbe Smart Sam, Performance, Addix, 29"x2,35"

MOTOR	Performance CX 36 V, 250 W
MAX TORQUE	85 Nm
SENSOR TYPE	Torque
BATTERY	Powertube 500 Horizontal, frametype, weight 2,8 kg
CHARGER TYPE	2 A
CHARGE TIME	Up to 7,5 hours
MAX ASSISTED SPEED	25 km/h
DISPLAY	PURION
POWER	Eco: 60 % Tour: 140 % EMTB: 140 / 340 % Turbo: 340 %

FLAT GREY/NEON RED

16" - 40 cm	0116832100
18" - 46 cm	0116832110
20" - 50 cm	0116832120

WEIGHT Kg 26,8

B-RACE A7.1



PERFORMANCE CX CRUISE

POWERTUBE 500

PURION

29"

10 S



FRAME	Alu 29", hydroformed, integrated battery, tapered, Internal routing, Forged interface
FORK	Suntour XCM, 100 mm, Coil, Lockout
HEADSET	Acros AZF-581, 1,5", Internal routing
CRANKSET	FSA, Miche 34T
REAR DERAILLEUR	Shimano Deore RD-M5120, Shadow Plus
SHIFTERS LEVERS	Shimano Deore SL-M4100 Rapidfire-Plus, 10s
BRAKES	Shimano BR-MT200, Rotor SM-RT10 180 mm/180 mm
CASSETTE	Shimano CS-M4100 10s 11/46
PEDALS	Alu MTB
FRONT HUB	Shimano TX505, CL, 32h
REAR HUB	Shimano TX505, CL, HG, 32h
RIMS	Radiale E25V, 25x622, eBike ready
STEM	Satori Viper0, 31,8 mm, Internal routing
HANDLEBAR	Alu Low Rise, 720 mm
SEATPOST	Alu 31,6 mm
SADDLE	Selle Royal Sauris
TYRES	Schwalbe Smart Sam, Performance, Addix, 29"x2,35"

MOTOR	Performance CX 36 V, 250 W
MAX TORQUE	85 Nm
SENSOR TYPE	Torque
BATTERY	Powertube 500 Horizontal, frametype, weight 2,8 kg
CHARGER TYPE	2 A
CHARGE TIME	Up to 7,5 hours
MAX ASSISTED SPEED	25 km/h
DISPLAY	PURION
POWER	Eco: 60 % Tour: 140 % EMTB: 140 / 340 % Turbo: 340 %

ORANGE/BLACK

- 16" - 40 cm 0116832200
- 18" - 46 cm 0116832210
- 20" - 50 cm 0116832220

WHITE/ANTHRACITE MATT

- 16" - 40 cm 0116832203
- 18" - 46 cm 0116832213
- 20" - 50 cm 0116832223



WEIGHT Kg 26,8

WHISTLE

B-RACE A6.1



PERFORMANCE CX CRUISE

POWERPACK 500

PURION

29"

9 S



FRAME	Alu 29", hydroformed, integrated battery, tapered, Internal routing, Forged interface
FORK	Suntour XCM, 100 mm, Coil
HEADSET	FSA No.57BP ZS-1 for 1 1/8 steerer
CRANKSET	Miranda, 34T
REAR DERAILLEUR	Shimano Altus RD-M2000 SGS, Shadow
SHIFTERS LEVERS	Shimano Altus SL-M2010 Rapidfire, 9s
BRAKES	Shimano BR-MT200, Rotor SM-RT10 180 mm/180 mm
CASSETTE	Shimano CS-HG200 9s 11/36
PEDALS	Alu MTB
FRONT HUB	Shimano TX505, CL, 32h
REAR HUB	Shimano TX505, CL, HG, 32h
RIMS	Radiale E25V, 25x622, eBike ready
STEM	Alu, Bar bore 31,8 mm
HANDLEBAR	Alu Low Rise, 720 mm
SEATPOST	Alu 31,6 mm
SADDLE	Selle Royal Sauris
TYRES	F: Schwalbe Tough Tom, R: Schwalbe Rapid Rob, 29"x2,25"

MOTOR	Performance CX 36 V, 250 W
MAX TORQUE	85 Nm
SENSOR TYPE	Torque
BATTERY	Powerpack 500, frametype, weight 2,6 kg
CHARGER TYPE	2 A
CHARGE TIME	Up to 7,5 hours
MAX ASSISTED SPEED	25 km/h
DISPLAY	PURION
POWER	Eco: 60 % Tour: 140 % EMTB: 140 / 340 % Turbo: 340 %

ANTHRACITE/GREEN MATT

16" - 40 cm	0116832400
18" - 46 cm	0116832410
20" - 50 cm	0116832420

WEIGHT Kg 26,6

WHISTLE

B-RACE A5.1

AVISO

⚙️ AM-80

🔋 ENERGYTUBE 500

📺 AM LCD

🛞 29"

🕒 12 S



FRAME	Alu 29", hydroformed, integrated battery, tapered, Internal routing, Forged interface
FORK	Suntour XCR32, 100 mm, Coil, Tapered, Lockout
HEADSET	Acros AZF-581, 1,5", Internal routing
CRANKSET	FSA, 34T, Megatooth
REAR DERAILLEUR	Sram SX Eagle
SHIFTERS LEVERS	Sram SX Eagle Single Click Trigger, 12s
BRAKES	Shimano BR-MT200, Rotor SM-RT10 180 mm/180 mm
CASSETTE	Sram PG1210 Eagle 12s, 11/50
PEDALS	Alu MTB
FRONT HUB	Shimano TX505, CL, 32h
REAR HUB	Shimano TX505, CL, HG, 32h
RIMS	Radiale E25V, 25x622, eBike ready
STEM	Satori Viper0, 31,8 mm, Internal routing
HANDLEBAR	Alu Low Rise, 720 mm
SEATPOST	Alu 31,6 mm
SADDLE	Selle Royal Sauris
TYRES	Schwalbe Smart Sam, Performance, Addix, 29"x2,35"

MOTOR	AM-80 36 V, 250 W
MAX TORQUE	80 Nm
SENSOR TYPE	Torque
BATTERY	EnergyTube 500, frametype, weight 2,9 kg
CHARGER TYPE	2 A
CHARGE TIME	up to 7 hours
MAX ASSISTED SPEED	25 km/h
DISPLAY	AM LCD
POWER	Mode 1: 50% Mode 2: 100% Mode 3: 200% Mode 4: 300% Mode 5: 400%

FLAT GREY/NEON RED

16" - 40 cm	0116832500
18" - 46 cm	0116832510
20" - 50 cm	0116832520

WEIGHT Kg 26,6

SPEED URBAN

Estetica, funzionalità e prestazioni. Doppia batteria ovvero libertà raddoppiata!

La Dual Battery Technology Bosch rende la Speed Urban imbattibile sul piano dell'autonomia e delle lunghe ascese, naturalmente con una sensazione di guida unica e costante. In questo modo non solo potrete percorrere distanze maggiori, ma non dovrete nemmeno preoccuparvi di avere l'autonomia necessaria durante i vostri spostamenti quotidiani.

Aesthetics, functionality and performance. Double battery or doubled freedom!

Bosch Dual Battery Technology makes the Speed Urban unbeatable in terms of range and uphill, naturally with a unique and constant driving sensation. In this way, not only will you be able to travel longer distances, but you will not even have to worry about having the necessary autonomy during your daily commute.

POWER

Una batteria da 500 Wh e una da 625 Wh, per un totale di 1125 Wh (aumenta la capacità della batteria aumentando così anche l'autonomia).

500 Wh + 625 Wh, for a total of 1125 Wh (increases battery capacity thus increasing autonomy).

POSITION

Batterie posizionate in modo intelligente così che il peso addizionale e la posizione della batteria non incidono minimamente sulla tenuta di strada. Due batterie Bosch PowerTube completamente integrate fissate nel telaio in carbonio.

Batteries positioned intelligently so that the additional weight and the position of the battery have no impact on road holding. Two fully integrated Bosch PowerTube batteries fixed in the carbon frame.

ADVANTAGE

Autonomia raddoppiata concentrazione totalmente sulla guida, senza dover sempre pensare all'autonomia restante. Inoltre la tecnologia permette di effettuare cariche molto meno frequenti aumentandone il ciclo di vita. È la soluzione perfetta non solo per il cicloturista ma anche per chi usa la bici ogni giorno.

Autonomy doubled concentration totally on driving, without always having to think about the remaining autonomy. In addition, the technology allows for much less frequent charges, increasing their life cycle. It is the perfect solution not only for the cyclist but also for those who use the bike every day.

ENERGIZER PLUS ADDIX E COMPOUND



Massima durezza, bassa resistenza al rotolamento e un grip eccezionale. E questo anche ad alte velocità! L'inserto antiforatura GreenGuard protegge in modo affidabile dalle forature.

Maximum durability, low rolling resistance and exceptional grip. And this also at high speeds! The GreenGuard puncture proof interior reliably protects against punctures.

MINI 2



Illuminazione anteriore a LED, potente e azionabile direttamente dal manubrio. Questo particolare molto utile dona alla e-Bike un valore aggiunto non indifferente.

Front LED lighting, powerful and directly operable from the handlebar. This very useful detail gives the e-Bike a significant added value.

YOUR PLUS



Una chiave per una funzione di antifurto e la rimozione della batteria.

One key to an anti-theft function and battery removal.

SPEED URBAN C9.1 MAN



PERFORMANCE CX CRUISE

POWERTUBE 500 & 625

KIOX

29C

12 S



FRAME	Full Carbon 29", Toray T700, dual integrated battery, oversize head tube, 12x148 mm E-Thru
FORK	Carbon, Tapered 1"1/2, 15x110
HEADSET	Acros AZF-581, 1,5", Internal routing
CRANKSET	FSA, 38T, MegaTooth
REAR DERAILLEUR	Shimano XT RD-M8100 SGS, Shadow Plus
SHIFTERS LEVERS	Shimano Deore SL-M6100 Rapidfire-Plus, 12s
BRAKES	Shimano BR-MT420, Four piston, Rotor SM-RT30 203 mm/203 mm
CASSETTE	Shimano CS-M6100 12s 10/51
PEDALS	Alu TKK
FRONT HUB	Shimano Alivio MT400, 15x110, CL, 32h
REAR HUB	Shimano Alivio MT410, 12x148, CL, MicroSpline, 32h
RIMS	Radiale X25, 25x622, eBike ready, Asymmetric
STEM	Satori Viper0, 31,8 mm, Internal routing
HANDLEBAR	Alu Low Rise, 720 mm
SEATPOST	Alu 31,6 mm
SADDLE	Selle Royal Essenza Moderate
TYRES	Schwalbe Energizer Plus, Performance, GreenGuard, TwinSkin, 700x55

MOTOR	Performance CX 36 V, 250 W
MAX TORQUE	85 Nm
SENSOR TYPE	Torque
BATTERY	Powertube 500 Horizontal & Powertube 625 Horizontal
CHARGER TYPE	4 A
CHARGE TIME	Up to 9,4 hours
MAX ASSISTED SPEED	25 km/h
DISPLAY	KIOX
POWER	Eco: 60 % Tour: 140 % EMTB: 140 / 340 % Turbo: 340 %

BLACK/ANTHRACITE MATT

19" - 48 cm	0116832810
20,5" - 52 cm	0116832820

WEIGHT Kg 27,8

WHISTLE

SPEED URBAN C8.1 MAN



PERFORMANCE CX CRUISE

POWERTUBE 500 & 625

INTUVIA

29C

12 S



FRAME	Full Carbon 29", Toray T700, dual integrated battery, oversize head tube, 12x148 mm E-Thru
FORK	Rock Shox 35 Silver R, 100 mm, Maxle Lite 15x110 mm, Coil, Tapered, Lockout, E-Bike
HEADSET	Acros AZF-581, 1,5", Internal routing
CRANKSET	FSA, 38T, MegaTooth
REAR DERAILLEUR	Sram SX Eagle
SHIFTERS LEVERS	Sram SX Eagle Single Click Trigger, 12s
BRAKES	Shimano BR-MT420, Four piston, Rotor SM-RT30 203 mm/203 mm
CASSETTE	Sram PG1210 Eagle 12s, 11/50
PEDALS	Alu MTB
FRONT HUB	Shimano Alivio MT400, 15x110, CL, 32h
REAR HUB	Shimano Alivio MT400, 12x148, CL, HG, 32h
RIMS	Radiale X25, 25x622, eBike ready, Asymmetric
STEM	Satori Viper0, 31,8 mm, Internal routing
HANDLEBAR	Alu Low Rise, 720 mm
SEATPOST	Alu 31,6 mm
SADDLE	Selle Royal Essenza Moderate
TYRES	Schwalbe Smart Sam, K-Guard, 29"x2,35"

MOTOR	Performance CX 36 V, 250 W
MAX TORQUE	85 Nm
SENSOR TYPE	Torque
BATTERY	Powertube 500 Horizontal & Powertube 625 Horizontal
CHARGER TYPE	4 A
CHARGE TIME	Up to 9,4 hours
MAX ASSISTED SPEED	25 km/h
DISPLAY	INTUVIA
POWER	Eco: 60 % Tour: 140 % EMTB: 140 / 340 % Turbo: 340 %

BLACK/ANTHRACITE MATT

19" - 48 cm 0116832910

20,5" - 52 cm 0116832920

WEIGHT Kg 28,3

SPEED URBAN C8.1 LADY



PERFORMANCE CX CRUISE

POWERTUBE 500 & 625

INTUVIA

29C

12 S



FRAME	Full Carbon 29", Toray T700, dual integrated battery, oversize head tube, 12x148 mm E-Thru
FORK	Rock Shox 35 Silver R, 100 mm, Maxle Lite 15x110 mm, Coil, Tapered, Lockout, E-Bike
HEADSET	Acros AZF-581, 1,5", Internal routing
CRANKSET	FSA, 38T, MegaTooth
REAR DERAILLEUR	Sram SX Eagle
SHIFTERS LEVERS	Sram SX Eagle Single Click Trigger, 12s
BRAKES	Shimano BR-MT420, Four piston, Rotor SM-RT30 203 mm/203 mm
CASSETTE	Sram PG1210 Eagle 12s, 11/50
PEDALS	Alu MTB
FRONT HUB	Shimano Alivio MT400, 15x110, CL, 32h
REAR HUB	Shimano Alivio MT400, 12x148, CL, HG, 32h
RIMS	Radiale X25, 25x622, eBike ready, Asymmetric
STEM	Satori Viper0, 31,8 mm, Internal routing
HANDLEBAR	Alu Low Rise, 720 mm
SEATPOST	Alu 31,6 mm
SADDLE	Selle Royal Essenza Moderate
TYRES	Schwalbe Smart Sam, K-Guard, 29"x2,35"

MOTOR	Performance CX 36 V, 250 W
MAX TORQUE	85 Nm
SENSOR TYPE	Torque
BATTERY	Powertube 500 Horizontal & Powertube 625 Horizontal
CHARGER TYPE	4 A
CHARGE TIME	Up to 9,4 hours
MAX ASSISTED SPEED	25 km/h
DISPLAY	INTUVIA
POWER	Eco: 60 % Tour: 140 % EMTB: 140 / 340 % Turbo: 340 %

BLACK/ANTHRACITE MATT	
17,5" - 44 cm	0116832900

WEIGHT Kg 28,3

CARBON FULL SUSPENDED

Un Telaio in carbonio pensato per mantenere rigidità che contraddistingue questo materiale, ma realizzato per resistere a potenze di picco elevate. Il composito in fibra di carbonio infatti ha una rigidità maggiore con un peso ridotto rispetto a quasi qualsiasi altro materiale. La trama UD (Uni-Directional) ha fibre che corrono allo stesso modo anziché essere intrecciate insieme. In questo modo si crea una struttura forte e resistente, che permette la dissipazione delle vibrazioni causate degli urti all'interno del telaio; ciò comporta il completo assorbimento del movimento.

Tecnologie recenti ed innovative abbinata a telai di ultimissima generazione per affrontare percorsi sempre più tecnici e sfidanti. Mtb versatili e piacevoli da guidare con geometrie sempre più aggressive in ottica racing.

A carbon frame designed to maintain rigidity that distinguishes this material, but made to withstand high peak powers. In fact, the carbon fiber composite has greater rigidity with a lower weight than almost any other material. The UD (Uni-Directional) weave has fibers that run the same way rather than being woven together. In this way, a strong and resistant structure is created, which allows the dissipation of vibrations caused by impacts inside the frame; this involves complete absorption of the movement.

Recent and innovative technologies combined with the latest generation of frames to face increasingly technical and challenging trails. MTB versatile and pleasant to drive with more aggressive geometries for racing

COMANCHE

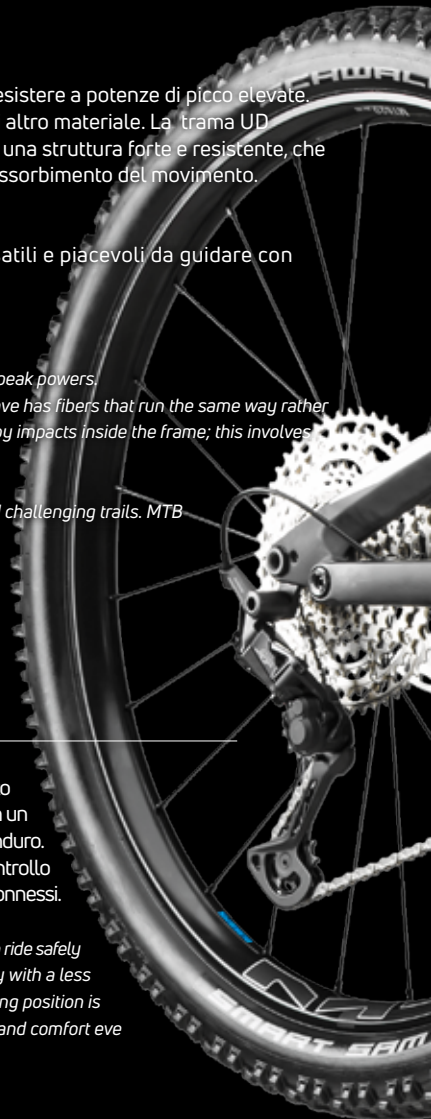
Pensata per il massimo divertimento e sicurezza in discesa. Allestimento da enduro per una guida aggressiva e al tempo stesso "pulita"; grazie al telaio con sistema di sospensione VPP (Virtual Pivot Point).

Designed for maximum fun and safety downhill. Enduro set-up for aggressive and at the same time "clean" driving; thanks to the frame with VPP (Virtual Pivot Point) suspension system.

NAVAJO

Per geometria e sospensioni, permette di girare con sicurezza e grande divertimento tracciati anche in discesa, ovviamente con un approccio meno aggressivo rispetto all'enduro. Posizione di guida votata al massimo controllo del mezzo e comfort anche su sentieri sconnessi.

For geometry and suspension, it allows you to ride safely and with great fun, even downhill, obviously with a less aggressive approach than enduro. The driving position is devoted to maximum control of the vehicle and comfort even on uneven paths.





FULL SUSPENDED

COMANCHE

29"

© 12 S



FRAME	Full Carbon 29", Toray T700, tapered, Rear travel 150 mm, 12x148 mm E-Thru
FORK	Fox 36 Float Rhythm, 150 mm, Air, Tapered, FIT GRIP Sweep-Adj, 15x110 mm
REAR SHOCK	Fox DPX2 Performance, 205x65, Trunnion head, EVOL
HEADSET	FSA No.57E tapered 1 1/2
CRANKSET	Shimano XT FC-M8100, 30T, 170 mm
REAR DERAILLEUR	Shimano XT RD-M8100 SGS, Shadow Plus
SHIFTERS LEVERS	Shimano SLX SL-M7100 Rapidfire-Plus, 12s
BRAKES	Shimano XT - Front BR-M8120, Four piston, Rear BR-M8100, Two piston, Rotor RT-MT800 203 mm/180 mm
CASSETTE	Shimano CS-M6100 12s 10/51
WHEELS	Shimano WH-MT620
STEM	Alu Oversize, 55 mm, Bar bore 35 mm
HANDLEBAR	Rise Alu Oversize 35, 780 mm
SEATPOST	Dropper DP01, 31,6 mm, remote
SADDLE	Whistle Performance
TYRES	Front: Schwalbe Magic Mary , Addix Ultra soft Compound, 29"x2,35" Rear: Schwalbe Hans Dampf Evo, Addix, 29"x2,35"

CARBON / ORANGE	
16,5"	0116835210
18"	0116835220

WEIGHT Kg 15,3

NAVAJO

29"

12 S



FULL SUSPENDED

FRAME	Full Carbon 29", Toray T700, tapered, Rear travel 150 mm, 12x148 mm E-Thru
FORK	Fox 36 Float Rhythm, 150 mm, Air, Tapered, FIT GRIP Sweep-Adj, 15x110 mm
REAR SHOCK	Fox DPX2 Performance, 210x55, EVOL
HEADSET	FSA No.57E tapered 1 1/2
CRANKSET	Shimano XT FC-M8100, 30T, 170 mm
REAR DERAILLEUR	Shimano XT RD-M8100 SGS, Shadow Plus
SHIFTERS LEVERS	Shimano SLX SL-M7100 Rapidfire-Plus, 12s
BRAKES	Shimano XT - Front BR-M8120, Four piston, Rear BR-M8100, Two piston, Rotor RT-MT800 203 mm/180 mm
CASSETTE	Shimano CS-M6100 12s 10/51
WHEELS	Shimano WH-MT620
STEM	Alu Oversize, 55 mm, Bar bore 35 mm
HANDLEBAR	Rise Alu Oversize 35, 780 mm
SEATPOST	Dropper DP01, 31,6 mm, remote
SADDLE	Whistle Performance
TYRES	Front: Schwalbe Hans Dampf Evo, Addix, 29"x2,35" Rear: Schwalbe Nobby Nic Performance Addix Soft Compound, 29"x2,35"

CARBON / CHROME	
14"	0116835100
17,5"	0116835110
19,5"	0116835120
21"	0116835130

WEIGHT Kg 14,9

MTB

HARDTAIL

Rigidità, affidabilità, resistenza e peso ridotto per una guida reattiva.

La Mojag con telaio leggero in carbonio e ruota da 29" potrà soddisfare ogni aspettativa. Ha mozzi Boost che consentono di aumentare la rigidità delle ruote e forcellino posteriore con attacco pinza freno che sfrutta lo standard Post Mount, movimento centrale con cuscinetti maggiorati sinonimo di rigidità e maggior durata. Miwok e Patwin con telai da 29" e da 27,5" sono realizzate con telaio in alluminio 6061, lega ottimale sinonimo di resistenza e leggerezza. Due famiglie entry level ideali per approcciarsi al mondo delle MTB con successo.

Stiffness, reliability, resistance and reduced weight for a more reactive drive.

Carbon monocoque frame and 29" wheels for Mojag. The front and rear Boost allow to increase the wheels stiffness; they have the rear dropout that uses the standard Post Mount, bottom bracket with oversized bearings which means stiffness and longer lasting.

Miwok and Patwin's frame are in aluminium 6061, optimal league synonymous of lasting and lightness. They are entry level bicycles ideal for a biker who want to approach to the MTB world with great success.



MOJAG 2161

Front in carbonio, dalla linea pulita. Tipica MTB Cross Country Race che punta alla massima performance nella pedalata.

Carbon Front, with a clean line. Typical MTB Cross Country Race that aims for maximum pedaling performance.

ROCK SHOX JUDY SILVER FORK

SHIMANO XT BRAKES

MOJAG 2161

29"

© 12 S



MTB HARDTAIL

FRAME	Carbon Monocoque 29", tapered 1 1/2" Head Tube, Post mount disc brake, Press Fit 92, Bost 148x12mm rear axle, internal cables
FORK	Rock Shox Judy Silver 29" SoloAir, 100mm, tapered 1 1/2" steerer, Boost 110x15mm, with remote lockout
HEADSET	FSA No.42/ACB tapered 1 1/2"
CRANKSET	Shimano FC-MT510 Boost, 32T, Pressfit 92
REAR DERAILLEUR	Shimano XT RD-M8100 Shadow Plus, 12 speed
SHIFTERS LEVERS	Shimano Deore SL-M6100 12x1s
BRAKES	Shimano XT BR-M8100, Rotor SM-RT54 180mm F / 160mm R
CASSETTE	Shimano Deore CS-M6100 12s, 10/51T
WHEELS	Shimano WH-MT510 29" Boost 15mm/12mm, CL, 24h
STEM	Kyte Alu 3D forged
HANDLEBAR	Kyte TopFlat Alu DB, 720mm
SEATPOST	Kyte Alu 3D forged, 27,2mm
SADDLE	Whistle Performance
TYRES	Schwalbe Nobby Nic Performance 29x2,25

CARBON MATT/BLACK GLOSSY

17"	0116835000
19"	0116835010

WEIGHT Kg 12,1

PATWIN 2159

29" © 12 S



FRAME	Alu formed tubes 29", internal cables, brake calliper on C/S
FORK	Suntour XCM RL 29" 100mm with remote lockout
HEADSET	FSA No.57BP-1 1"1/8
CRANKSET	Shimano FC-MT510, 32T, BSA
REAR DERAILLEUR	Shimano XT RD-M8100 Shadow Plus, 12 speed
SHIFTERS LEVERS	Shimano Deore SL-M6100 12x1s
BRAKES	Shimano BL-MT201/BR-MT200 hydraulic disc, Rotor SM-RT30 180mm F / 160mm R
CASSETTE	Shimano CS-M6100 12s, 10/51T
PEDALS	Alu MTB
HUBS	Shimano MT200/MT401, CL, 32h
RIMS	Whistle Alu double/wall, 32h, disc
STEM	Byte Kute Alu
HANDLEBAR	Byte Keek Flat Alu, 720mm
SEATPOST	Byte King Alu 30,9mm
SADDLE	Whistle with hole
TYRES	Schwalbe Rapid Rob 29x2,10

ULTRALIGHT/NEONRED MATT	
17"	0116833500
19"	0116833510

WEIGHT Kg 14

PATWIN 2160

29" © 20 S



FRAME	Alu formed tubes 29", internal cables, brake calliper on C/S
FORK	Suntour XCM RL 29" 100mm with remote lockout
HEADSET	FSA No.57BP-1 1"1/8
CRANKSET	Shimano Deore FC-M4100-2 2 Pieces, 36/26T, BSA
REAR DERAILLEUR	Shimano Deore RD-M5120 Shadow Plus, 10 speed
FRONT DERAILLEUR	Shimano Deore FD-M4100 Side Swing
SHIFTERS LEVERS	Shimano Deore SL-M4100 10s / SL-M5100 2s
BRAKES	Shimano BL-MT201/BR-MT200 hydraulic disc, Rotor SM-RT30 180mm F / 160mm R
CASSETTE	Shimano CS-M4100 10s, 11/42T
PEDALS	Alu MTB
HUBS	Shimano TX505 CL, 32h
RIMS	Whistle Alu double/wall, 32h, disc
STEM	Byte Kute Alu
HANDLEBAR	Byte Keek Flat Alu, 720mm
SEATPOST	Byte King Alu 30,9mm
SADDLE	Whistle Breath with hole
TYRES	Schwalbe Rapid Rob 29x2,10

BLACK/NEONORANGE MATT	
17"	0116833600
19"	0116833610
21"	0116833620

WEIGHT Kg 13

PATWIN 2161

29"

© 18 S



FRAME	Alu formed tubes 29", internal cables, brake calliper on C/S
FORK	Suntour XCM RL 29" 100mm with remote lockout
HEADSET	FSA No.57BP-1 1 1/8
CRANKSET	Shimano Altus FC-MT210-2, 36/22T
REAR DERAILLEUR	Shimano Deore RD-M592 Shadow, 9 speed
FRONT DERAILLEUR	Shimano Alivio FD-M3120 Side Swing
SHIFTERS LEVERS	Shimano Alivio SL-M3100 9x2s
BRAKES	Shimano BL-MT201/BR-MT200 hydraulic disc, Rotor SM-RT30 180mm F / 160mm R
CASSETTE	Shimano CS-HG200 9s, 11/36T
PEDALS	Alu MTB
HUBS	Shimano TX505 CL, 32h
RIMS	Whistle Alu double/wall, 32h, disc
STEM	Byte Kute Alu
HANDLEBAR	Byte Keek Flat Alu, 720mm
SEATPOST	Byte King Alu 30,9mm
SADDLE	Whistle Breath with hole
TYRES	Schwalbe Rapid Rob 29x2,10

ANTHRACITE/BLACK MATT	
17"	0116833700
19"	0116833710
21"	0116833720

WEIGHT Kg 13

PATWIN 2162

29"

18 S



MTB HARDTAIL

FRAME	Alu formed tubes 29", internal cables, brake calliper on C/S
FORK	Suntour XCM RL 29" 100mm with remote lockout
HEADSET	FSA No.57BP-1 1"1/8
CRANKSET	Shimano FC-MT101 -2,36/22T
REAR DERAILLEUR	Shimano Alivio RD-M3100, 9 speed
FRONT DERAILLEUR	Shimano Alivio FD-M3120 Side Swing
SHIFTERS LEVERS	Shimano Alivio SL-M3100 9x2s
BRAKES	Shimano BL-MT200/BR-MT200 hydraulic disc, Rotor SM-RT10 160mm
CASSETTE	Shimano CS-HG200 9s, 11/36T
PEDALS	Steel MTB
HUBS	Shimano TX505 CL, 32h
RIMS	Whistle Alu double/wall, 32h, disc
STEM	Byte ahead Alu Oversize
HANDLEBAR	Byte Alu Oversize, flat, 720mm
SEATPOST	Byte Alu 30,9mm
SADDLE	Whistle Breath with hole
TYRES	Impac Ridgepac 29x2,10

ULTRALIGHT/BLACK MATT	
17"	0116833800
19"	0116833810
21"	0116833820

WEIGHT Kg 14

PATWIN 2163

29" © 16 S



FRAME	Alu formed tubes 29", internal cables, brake calliper on C/S
FORK	Suntour XCM RL 29" 100mm with remote lockout
HEADSET	FSA No.57BP-1 1"1/8
CRANKSET	Shimano FC-M315-2, 36/22T
REAR DERAILLEUR	Shimano Acera RD-M360, 8 speed
FRONT DERAILLEUR	Shimano Altus FD-M315
SHIFTERS LEVERS	Shimano SL-M315 8x2s
BRAKES	Shimano BL-MT200/BR-MT200 hydraulic disc, Rotor SM-RT10 160mm
CASSETTE	Shimano CS-HG31 8s, 11/34T
PEDALS	Steel MTB
HUBS	Shimano TX505 CL, 32h
RIMS	Whistle Alu double/wall, 32h, disc
STEM	Byte ahead Alu Oversize
HANDLEBAR	Byte Alu Oversize, flat, 720mm
SEATPOST	Byte Alu 30,9mm
SADDLE	Whistle Breath with hole
TYRES	Impac Ridgepac 29x2,10

BLACK/NEONYELLOW MATT	
17"	0116833900
19"	0116833910
21"	0116833920

WEIGHT Kg 13

PATWIN 2164

29"

16 S



MTB HARDTAIL

FRAME	Alu formed tubes 29", internal cables, brake calliper on C/S
FORK	Suntour XCT30 HLO 29" 100mm with hydraulic lockout
HEADSET	FSA No.57BP-1 1"1/8
CRANKSET	Shimano FC-M315-2, 36/22T
REAR DERAILLEUR	Shimano Altus RD-M310, 8 speed
FRONT DERAILLEUR	Shimano Altus FD-M315
SHIFTERS LEVERS	Shimano ST-EF505 8x2s
BRAKES	Shimano BR-M200 hydraulic disc, Rotor SM-RT10 160mm
CASSETTE	Shimano CS-HG200 8s, 12/32T
PEDALS	Steel MTB
HUBS	Shimano TX505 CL, 32h
RIMS	Whistle Alu double/wall, 32h, disc
STEM	Byte ahead Alu Oversize
HANDLEBAR	Byte Alu Oversize, flat, 720mm
SEATPOST	Byte Alu 30,9mm
SADDLE	Whistle Breath with hole
TYRES	Impac Ridgepac 29x2,10

BLACK/NEONRED MATT	
17"	0116834000
19"	0116834010
21"	0116834020

WEIGHT Kg 14

PATWIN 2165

29" © 21 S



FRAME	Alu formed tubes 29", internal cables, brake calliper on C/S
FORK	Suntour XCT30 29" 100mm
HEADSET	FSA No.57BP-1"1/8
CRANKSET	Byte Alluminio 42/34/24
REAR DERAILLEUR	Shimano RD-TX500, 7 speed
FRONT DERAILLEUR	Shimano FD-TY500
SHIFTERS LEVERS	Shimano ST-EF505 7x3s
BRAKES	Shimano BR-M200 hydraulic disc, Rotor SM-RT10 160mm
CASSETTE	Shimano CS-HG200 7s, 12/32T
PEDALS	Steel MTB
HUBS	Shimano TX505 CL, 32h
RIMS	Whistle Alu double/wall, 32h, disc
STEM	Byte ahead Alu Oversize
HANDLEBAR	Byte Alu Oversize, flat, 720mm
SEATPOST	Byte Alu 30,9mm
SADDLE	Whistle Breath with hole
TYRES	Impac Ridgepac 29x2,10

NEONORANGE/ANTHRACITE MATT	
17"	0116834100
19"	0116834110
21"	0116834120

WEIGHT Kg 13



MIWOK 2159

27,5"

© 12 S



FRAME	Alu formed tubes 27,5", internal cables, brake calliper on C/S
FORK	Suntour XCM RL 27,5" 100mm with remote lockout
HEADSET	FSA No.57BP-1 1"1/8
CRANKSET	Shimano FC-MT510, 32T, BSA
REAR DERAILLEUR	Shimano XT RD-M8100 Shadow Plus, 12 speed
SHIFTERS LEVERS	Shimano Deore SL-M6100 12x1s
BRAKES	Shimano BL-MT201/BR-MT200 hydraulic disc, Rotor SM-RT30 180mm F / 160mm R
CASSETTE	Shimano CS-M6100 12s, 10/51T
PEDALS	Alu MTB
HUBS	Shimano MT200/MT401, CL, 32h
RIMS	Whistle Alu double/wall, 32h, disc
STEM	Byte Kute Alu
HANDLEBAR	Byte Keek Flat Alu, 680mm
SEATPOST	Byte King Alu 30,9mm
SADDLE	Whistle with hole
TYRES	Schwalbe Rapid Rob 27,5x2,10

BLACK/NEONRED MATT	
16"	0116834200
18"	0116834210
20"	0116834220

WEIGHT Kg 13

MIWOK 2160

27,5"

© 20 S



FRAME	Alu formed tubes 27,5", internal cables, brake calliper on C/S
FORK	Suntour XCM RL 27,5" 100mm with remote lockout
HEADSET	FSA No.57BP-1 1"1/8
CRANKSET	Shimano Deore FC-M4100-2 2 Pieces, 36/26, BSA
REAR DERAILLEUR	Shimano Deore RD-M5120 Shadow Plus, 10 speed
FRONT DERAILLEUR	Shimano Deore FD-M4100 Side Swing
SHIFTERS LEVERS	Shimano Deore SL-M4100 10s / SL-M5100 2s
BRAKES	Shimano BL-MT201/BR-MT200 hydraulic disc, Rotor SM-RT30 180mm F / 160mm R
CASSETTE	Shimano CS-M4100 10s, 11/42T
PEDALS	Alu MTB
HUBS	Shimano TX505 CL, 32h
RIMS	Whistle Alu double/wall, 32h, disc
STEM	Byte Kute Alu
HANDLEBAR	Byte Keek Flat Alu, 680mm
SEATPOST	Byte King Alu 30,9mm
SADDLE	Whistle with hole
TYRES	Schwalbe Rapid Rob 27,5x2,10

ANTHRACITE/BLACK MATT

16"	0116834300
18"	0116834310
20"	0116834320

WEIGHT Kg 12

MIWOK 2161

27,5"

© 18 S



FRAME	Alu formed tubes 27,5", internal cables, brake calliper on C/S
FORK	Suntour XCM RL 27,5" 100mm with remote lockout
HEADSET	FSA No.57BP-1 1"1/8
CRANKSET	Shimano Altus FC-MT210-2, 36/22T
REAR DERAILLEUR	Shimano Deore RD-M592 Shadow, 9 speed
FRONT DERAILLEUR	Shimano Alivio FD-M3120 Side Swing
SHIFTERS LEVERS	Shimano Alivio SL-M3100 9x2s
BRAKES	Shimano BL-MT201/BR-MT200 hydraulic disc, Rotor SM-RT30 180mm F / 160mm R
CASSETTE	Shimano CS-HG200 9s, 11/36T
PEDALS	Alu MTB
HUBS	Shimano TX505 CL, 32h
RIMS	Whistle Alu double/wall, 32h, disc
STEM	Byte Kute Alu
HANDLEBAR	Byte Keek Flat Alu, 680mm
SEATPOST	Byte King Alu 30,9mm
SADDLE	Whistle with hole
TYRES	Schwalbe Rapid Rob 27,5x2,10

ULTRALIGHT/NEONRED MATT	
16"	0116834400
18"	0116834410
20"	0116834420

WEIGHT Kg 14

MIWOK 2162

27,5"

18 S



MTB HARDTAIL

FRAME	Alu formed tubes 27,5", internal cables, brake calliper on C/S
FORK	Suntour XCM RL 27,5" 100mm with remote lockout
HEADSET	FSA No.57BP-1 1"1/8
CRANKSET	Shimano FC-MT101 -2,36/22T
REAR DERAILLEUR	Shimano Alivio RD-M3100, 9 speed
FRONT DERAILLEUR	Shimano Alivio FD-M3120 Side Swing
SHIFTERS LEVERS	Shimano Alivio SL-M3100 9x2s
BRAKES	Shimano BL-MT200/BR-MT200 hydraulic disc, Rotor SM-RT10 160mm
CASSETTE	Shimano CS-HG200 9s, 11/36T
PEDALS	Steel MTB
HUBS	Shimano TX505 CL, 32h
RIMS	Whistle Alu double/wall, 32h, disc
STEM	Byte ahead Alu Oversize
HANDLEBAR	Byte Alu Oversize, flat, 680mm
SEATPOST	Byte Alu 30,9mm
SADDLE	Whistle Breath with hole
TYRES	Impac Ridgepac 27,5x2,10

BLACK/NEONYELLOW MATT	
16"	0116834500
18"	0116834510
20"	0116834520

WEIGHT Kg 14

MIWOK 2163

27,5"

© 16 S



FRAME	Alu formed tubes 27,5", internal cables, brake calliper on C/S
FORK	Suntour XCM RL 27,5" 100mm with remote lockout
HEADSET	FSA No.57BP-1 1"1/8
CRANKSET	Shimano FC-M315-2, 36/22T
REAR DERAILEUR	Shimano Acera RD-M360, 8 speed
FRONT DERAILEUR	Shimano Altus FD-M315
SHIFTERS LEVERS	Shimano SL-M315 8x2s
BRAKES	Shimano BL-MT200/BR-MT200 hydraulic disc, Rotor SM-RT10 160mm
CASSETTE	Shimano CS-HG31 8s, 11/34T
PEDALS	Steel MTB
HUBS	Shimano TX505 CL, 32h
RIMS	Whistle Alu double/wall, 32h, disc
STEM	Byte ahead Alu Oversize
HANDLEBAR	Byte Alu Oversize, flat, 680mm
SEATPOST	Byte Alu 30,9mm
SADDLE	Whistle Breath with hole
TYRES	Impac Ridgepac 27,5x2,10

ULTRALIGHT/BLACK MATT	
16"	0116834600
18"	0116834610
20"	0116834620

WEIGHT Kg 14

MIWOK 2164

27,5"

16 S



FRAME	Alu formed tubes 27,5", internal cables, brake calliper on C/S
FORK	Suntour XCT30 HLO 27,5" 100mm with hydraulic lockout
HEADSET	FSA No.57BP-1 1"1/8
CRANKSET	Shimano FC-M315-2, 36/22T
REAR DERAILLEUR	Shimano Altus RD-M310, 8 speed
FRONT DERAILLEUR	Shimano Altus FD-M315
SHIFTERS LEVERS	Shimano ST-EF505 8x2s
BRAKES	Shimano BR-M200 hydraulic disc, Rotor SM-RT10 160mm
CASSETTE	Shimano CS-HG200 8s, 12/32
PEDALS	Steel MTB
HUBS	Shimano TX505 CL, 32h
RIMS	Whistle Alu double/wall, 32h, disc
STEM	Byte ahead Alu Oversize
HANDLEBAR	Byte Alu Oversize, flat, 680mm
SEATPOST	Byte Alu 30,9mm
SADDLE	Whistle Breath with hole
TYRES	Impac Ridgepac 27,5x2,10

NEONORANGE/ANTHRACITE MATT

14"	0116834700
16"	0116834710
18"	0116834720
20"	0116834730

WEIGHT Kg 14

MIWOK 2165

27,5"

© 21 S



FRAME	Alu formed tubes 27,5", internal cables, brake calliper on C/S
FORK	Suntour XCT30 27,5" 100mm
HEADSET	FSA No.57BP-1 1"1/8
CRANKSET	Byte Alluminio 42/34/24
REAR DERAILLEUR	Shimano RD-TX500, 7 speed
FRONT DERAILLEUR	Shimano FD-TY500
SHIFTERS LEVERS	Shimano ST-EF505 7x3s
BRAKES	Shimano BR-M200 hydraulic disc, Rotor SM-RT10 160mm
CASSETTE	Shimano CS-HG200 7s, 12/32T
PEDALS	Steel MTB
HUBS	Shimano TX505 CL, 32h
RIMS	Whistle Alu double/wall, 32h, disc
STEM	Byte ahead Alu Oversize
HANDLEBAR	Byte Alu Oversize, flat, 680mm
SEATPOST	Byte Alu 30,9mm
SADDLE	Whistle Breath with hole
TYRES	Impac Ridgepac 27,5x2,10

BLACK/ORANGE MATT	
14"	0116834800
16"	0116834810
18"	0116834820
20"	0116834830

WEIGHT Kg 15



ROAD

Bici leggere ed affidabili, rigide e confortevoli, veloci, stabili e durevoli.

In Whistle crediamo non solo nelle bici da corsa per la competizione; in Whistle crediamo che la bici da corsa ti accompagni nella quotidianità.

*Lightness and reliability, stiffness and comfort, speed and stability: these are the main features of the Whistle road bicycles.
In Whistle we believe that a road bike is not only for competition, in Whistle We believe that a road bicycle is for everyday.*

MODOC GRX400

Il gruppo GRX progettato per coloro che amano la versatilità e non si fermano davanti agli ostacoli.

Le leve freno hanno un design ampio ed ergonomico. A livello estetico il GRX si ispira al family feeling che contraddistingue la moderna componentistica Shimano da strada. Le pinze utilizzano tecnologia mutuata dagli impianti stradistici a disco di Shimano.

*The GRX group designed for those who love versatility and don't stop in front of obstacles
The brake levers have a large and ergonomic design. On an aesthetic level, the GRX is inspired by the family feeling that distinguishes modern Shimano road components.
The calipers use technology borrowed from Shimano disc road systems.*

MODOC GRX400

28"

20 S



FRAME	Alu. Formed triple butted, Flat Mount disc brake, internal cables
FORK	Road Alu, Flat Mount disc brake
HEADSET	FSA No.16CC 1 1/8
CRANKSET	Shimano GRX FC-RX600 2 Pieces, 36/40, BSA
REAR DERAILLEUR	Shimano GRX RD-RX400 10s
FRONT DERAILLEUR	Shimano GRX FD-RX400
SHIFTERS LEVERS	Shimano GRX ST-RX400 10x2s
BRAKES	Shimano GRX BR-RX400 hydraulic disc brake flat mount, Rotor SM-RT64 160mm
CASSETTE	Shimano CS-HG50 10s, 11/34T
WHEELS	Whistle Road Disc CL, QR
STEM	Byte Alu Oversize
HANDLEBAR	Byte Alu Oversize Drop
SEATPOST	Byte Alu 27,2
SADDLE	Selle Royal/Whistle Active with hole
TYRES	Schwalbe G-One Allround Performance 700x35 Gravel

FLAT ANTHRACITE/AVIO BLUE	
18"	0116835900
20"	0116835950

WEIGHT Kg 9,6

MODOC FLAT BAR HD SORA

28"

© 18 S



FRAME	Alu. Formed triple butted, Flat Mount disc brake, internal cables
FORK	Road Alu, Flat Mount disc brake
HEADSET	FSA No.16CC 1 1/8
CRANKSET	Byte Alu Compact 34/50, BSA
REAR DERAILLEUR	Shimano Sora RD-R3000 9s
FRONT DERAILLEUR	Shimano Sora FD-R3000
SHIFTERS LEVERS	Shimano Sora ST-R3000 Flat handlebar 9x2s
BRAKES	Tektro Hydraulic disc HD-R290 Flat mount, 3 fingers
CASSETTE	Shimano CS-HG200 9s, 11/34T
PEDALS	Alu Sport
WHEELS	Whistle Road Disc INT, QR
STEM	Byte Alu Oversize
HANDLEBAR	Byte Alu Oversize flat
SEATPOST	Byte Alu 27,2
SADDLE	Selle Royal/Whistle Active with hole
TYRES	Schwalbe G-One Allround Performance 700x35 Gravel

BLACK/ORANGE MATT	
18"	0116835800
20"	0116835850

WEIGHT Kg 12,6

MODOC FLAT BAR CLARIS

28"

16 S



FRAME	Alu. Formed triple butted, internal cable
FORK	Road Alu
HEADSET	FSA No.16CC 1 1/8
CRANKSET	Byte Alu Compact 34/50, BSA
REAR DERAILEUR	Shimano Claris RD-R2000 8s
FRONT DERAILEUR	Shimano Claris FD-R2000
SHIFTERS LEVERS	Shimano Claris ST-R2000 Flat handlebar 8x2s
BRAKES	Alu caliper
CASSETTE	Shimano CS-HG41 8s, 11/34T
PEDALS	Alu Sport
WHEELS	Whistle Racing
STEM	Byte Alu Oversize
HANDLEBAR	Byte Alu Oversize flat
SEATPOST	Byte Alu 27,2
SADDLE	Selle Royal/Whistle Active with hole
TYRES	Schwalbe Michelin 700x28, puncture protection

FLAT GRAY/NEON RED	
18"	0116835700
20"	0116835750

WEIGHT Kg 13,4

GUIPAGO 2160 MAN

28"

24 S



FRAME	Alu formed tubes Hybrid 700c, Post mount disc brake
FORK	Suntour NEX 700c 63mm
HEADSET	Integrated 1 1/8 ahead
CRANKSET	Byte Alluminio 48/38/28
REAR DERAILLEUR	Shimano Acera RD-M360
FRONT DERAILLEUR	Shimano Altus FD-M310
SHIFTERS LEVERS	Shimano ST-EF505 8x3s
BRAKES	Shimano BR-M200 hydraulic disc, Rotor SM-RT10 160mm
CASSETTE	Shimano CS-HG200 8s, 12-32T
PEDALS	Steel TKK
HUBS	Shimano TX505 CL, 36h
RIMS	Whistle Alu double/wall, 36h, disc
STEM	Byte ahead Alu Oversize, adjustable
HANDLEBAR	Byte Alu Oversize, rise 25mm, TKK
SEATPOST	Byte Alu 31,6mm
SADDLE	Selle Royal Lancia
TYRES	Schwalbe Delta Cruiser Plus 700x38, antiforatura, banda riflettente
NOTE	Portapacco alluminio 25kg, parafanghi monoasta, carter Herrmans luci a batteria Spanninga/Herrmans, cavalletto regolabile URSUS, campanello, manopole ergonomiche

ANTHRACITE/WHITE MATT	
49	0116835500

WEIGHT Kg 15,3

GUIPAGO 2160 LADY

28"

24 S



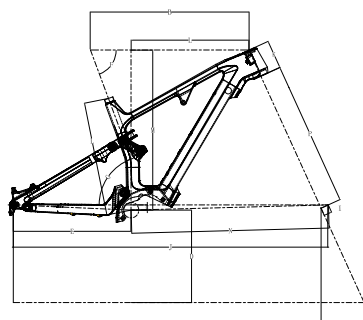
FRAME	Alu formed tubes Hybrid 700c, Post mount disc brake
FORK	Suntour NEX 700c 63mm
HEADSET	Integrated 1 1/8 ahead
CRANKSET	Byte Alluminio 48/38/28
REAR DERAILLEUR	Shimano Acera RD-M360
FRONT DERAILLEUR	Shimano Altus FD-M310
SHIFTERS LEVERS	Shimano ST-EF505 8x3s
BRAKES	Shimano BR-M200 hydraulic disc, Rotor SM-RT10 160mm
CASSETTE	Shimano CS-HG200 8s, 12-32T
PEDALS	Steel TKK
HUBS	Shimano TX505 CL, 36h
RIMS	Whistle Alu double/wall, 36h, disc
STEM	Byte ahead Alu Oversize, adjustable
HANDLEBAR	Byte Alu Oversize, rise 25mm, TKK
SEATPOST	Byte Alu 31,6mm
SADDLE	Selle Royal Lancia
TYRES	Schwalbe Delta Cruiser Plus 700x38, antifuoratura, banda riflettente
NOTE	Portapacchi alluminio 25kg, parafanghi monoasta, carter Herrmans luci a batteria Spanninga/Herrmans, cavalletto regolabile URSUS, campanello, manopole ergonomiche

FLAT GRAY/NEONRED	
44	0116835600

WEIGHT Kg 15,3

E-BIKE GEOMETRIES

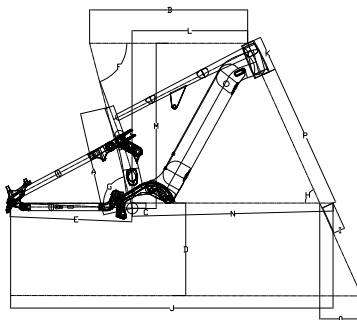
- A** Lunghezza tubo sella
Seat tube lenght
- B** Lunghezza virtuale orizzontale
Top tube lenght - virtual
- C** Drop movimento centrale
Bottom braket drop
- D** Altezza movimento centrale
Bottom braket height
- E** Lunghezza carro
Chainstay lenght



B-RUSH CARBON

	S	M	L	XL
A mm	380	440	480	520
B mm	571	609	643	673
C mm	-20	-20	-20	-20
D mm	356	356	356	356
E mm	455	455	455	455
F deg	70	70	70	70
G deg	90	90	90	90
H deg	65,5	65,5	65,5	65,5
I mm	31	31	31	31
J mm	1177	1216,1	1250	1281
K mm	100	110	120	135
L mm	420	455	485	510
M mm	609	618	627	641
N mm	723	762	796	827
O mm	137	137	137	137
P mm	560	560	560	560
Q mm	726	733	747	766
X mm	35	35	35	35
Y mm	780	780	780	780
Z mm	165	165	165	165
W mm	138	138	138	138
T mm	125	125	150	150
U m	1,55 - 1,65	1,65 - 1,75	1,75 - 1,90	1,90 - 2,05

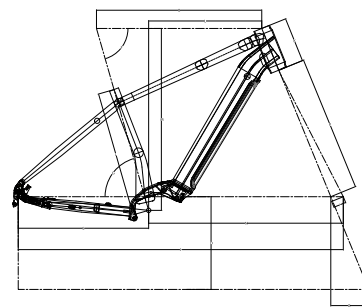
- F** Angolo canotto reggisella
Seat tube angle - actual
- G** Angolo tubo sella
Seat tube angle - effective
- H** Angolo sterzo
Head tube angle
- I** Offset forcella
Fork offset
- J** Distanza perni ruota
Wheelbase



B-RUSH ALU

	S	M	L	XL
A mm	400	440	480	520
B mm	610	632	656	656
C mm	-20	-20	-20	-20
D mm	356	356	356	356
E mm	470	470	470	470
F deg	70	70	70	70
G deg	80	80	80	80
H deg	65,5	65,5	65,5	65,5
I mm	44	44	44	44
J mm	1244	1266	1290	1290
K mm	135	135	135	135
L mm	445	467	491	491
M mm	637	637	637	637
N mm	775	797	821	821
O mm	123	123	123	123
P mm	563	563	563	563
Q mm	752	759	772	786
X mm	35	35	35	35
Y mm	780/720	780/720	780/720	780/720
Z mm	165	165	165	165
W mm	148	148	148	148
T mm	125	125	150	150
U m	1,55 - 1,65	1,65 - 1,75	1,75 - 1,90	1,90 - 2,05

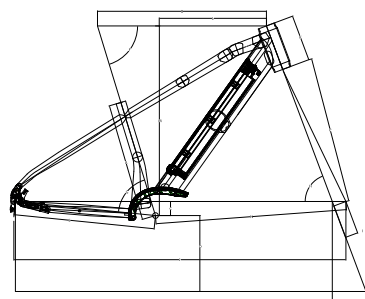
- K** Lunghezza tubo sterzo
Head tube lenght
- L** Reach
Reacht
- M** Stack
Stack
- O** Avancorsa
Stack
- P** Lunghezza forcella
Fork length



B-RACE POWERTUBE

	S	M	L
A mm	400	460	500
B mm	590	605	620
C mm	-50	-50	-50
D mm	305	305	305
E mm	480	480	480
F deg	74	74	74
G deg	76	76	76
H deg	68	68	68
I mm	46	46	46
J mm	1175	1190	1205
K mm	165	165	165
L mm	399	414	429
M mm	666	666	666
N mm	705	714	729
O mm	94	94	94
P mm	515	515	515
Q mm	714	765	797
X mm	60	60	80
Y mm	720	720	720
Z mm	170	170	175
W mm	148	148	148
T mm	350	350	350
U m	1,50 - 1,70	1,70 - 1,85	1,85 - 2,00

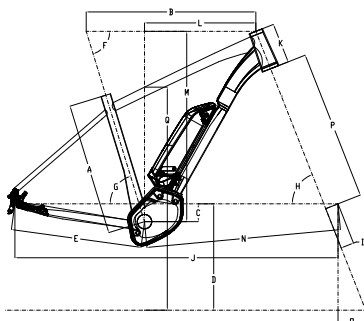
- Q** Quota di standover
Standover height
- X** Lunghezza attacco manubrio
Stem lenght
- Y** Larghezza piega manubrio
Handlebar width
- Z** Lunghezza pedivelle
Crankset lenght
- W** Larghezza sella
Saddle width



B-RACE AM80 POWERTUBE

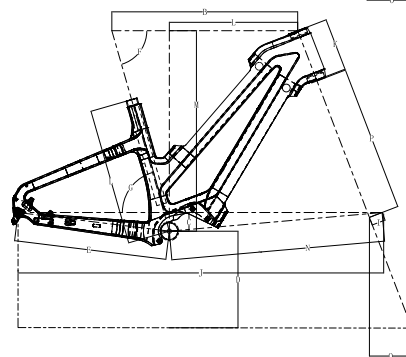
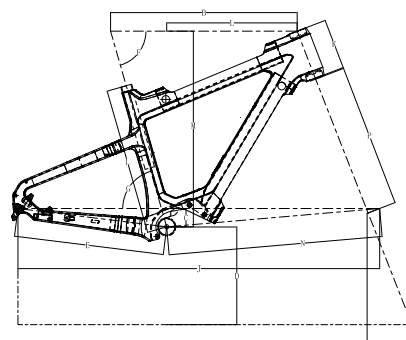
	S	M	L
A mm	400	460	500
B mm	590	605	620
C mm	-50	-50	-50
D mm	305	305	305
E mm	480	480	480
F deg	74	74	74
G deg	76	76	76
H deg	68	68	68
I mm	46	46	46
J mm	1175	1190	1205
K mm	165	165	165
L mm	399	414	429
M mm	666	666	666
N mm	705	714	729
O mm	94	94	94
P mm	515	515	515
Q mm	714	765	797
X mm	60	60	80
Y mm	720	720	720
Z mm	170	170	175
W mm	148	148	148
T mm	350	350	350
U m	1,50 - 1,70	1,70 - 1,85	1,85 - 2,00

- T** Lunghezza reggisella
Seat post length
- U** Statura consigliata
Advised height



B-RACE POWERPACK

	S	M	L
A mm	400	460	500
B mm	590	590	600
C mm	-62	-62	-62
D mm	308	308	308
E mm	455	455	455
F deg	73	73	73
G deg	73	73	73
H deg	68,5	68,5	68,5
I mm	46	46	46
J mm	1124	1124	1134
K mm	140	140	140
L mm	387	387	397
M mm	662	662	662
N mm	676	676	686
O mm	96	96	96
P mm	520	520	520
Q mm	725	776	806
X mm	60	75	90
Y mm	720	720	720
Z mm	170	170	175
W mm	148	148	148
T mm	350	350	350
U m	1,50 - 1,70	1,70 - 1,85	1,85 - 2,00



SPEED URBAN

	S (Lady)	M (Man)	L (Man)
A mm	440	480	520
B mm	597	610	638
C mm	-60	-60	-60
D mm	305	305	305
E mm	490	490	490
F deg	74	74	74
G deg	74	74	74
H deg	69	69	69
I mm	44	44	44
J mm	1183	1183	1211
K mm	170	165	180
L mm	413	427	450
M mm	645	640	654
N mm	687	699	728
O mm	-	-	-
P mm	470	470	470
Q mm	649	750	763
X mm	60	60	80
Y mm	720	720	720
Z mm	170	170	175
W mm	148	148	148
T mm	350	350	350
U m	1,60 - 1,70	1,70 - 1,85	1,85 - 2,00

BIKE GEOMETRIES

H Lunghezza tubo sella
Seat tube lenght

HCC Lunghezza tubo sella - centro/centro
Seat tube lenght - centre/centre

L Lunghezza virtuale orizzontale
Top tube lenght - virtual

L1 Lunghezza virtuale reale
Top tube lenght - real

B Drop movimento centrale
Bottom braket drop

C Lunghezza carro
Chainstay lenght

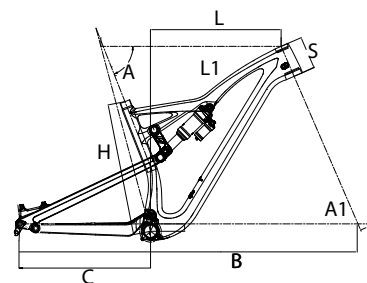
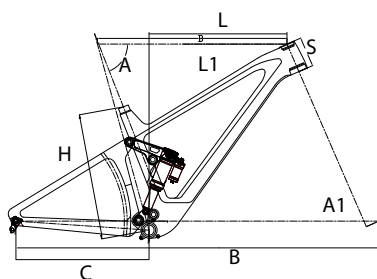
A Angolo canotto reggisella
Seat tube angle - actual

A1 Angolo sterzo
Head tube angle

S Lunghezza tubo sterzo
Head tube length

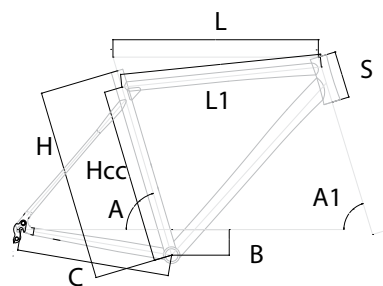
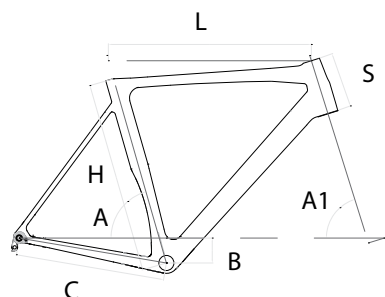
FULL SUSPENDED

MODEL & SIZE	H mm	HCC mm	L mm	L1 mm	A degrees	A1 degrees	A2 degrees	B mm	S mm	C mm	HEIGHT metres
COMANCHE											
M (16,5")	420		632		74,4°	65,5°		30	100	445	168 - 184
L (18")	460		656		74,4°	65,5°		30	115	445	185 - 198
NAVAJO											
S (14")	395		579		75°	68,5°		25	100	440	155 - 165
M (17,5")	445		607		75°	68,5°		25	110	440	166 - 175
L (19")	495		631		75°	68,5°		25	125	440	176 - 190
XL (21")	433		653		75°	68,5°		25	135	440	191 - 205



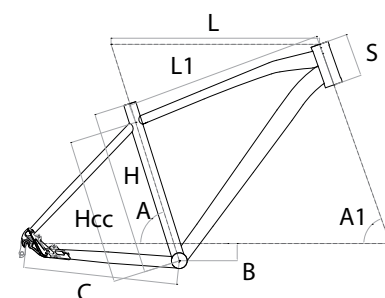
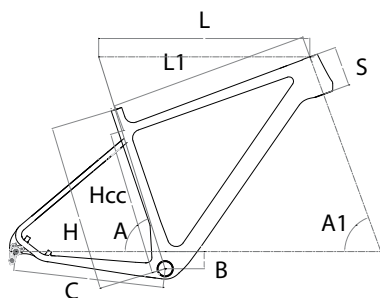
ROAD

MODEL & SIZE	H mm	Hcc mm	L mm	L1 mm	A degrees	A1 degrees	A2 degrees	B mm	S mm	C mm	HEIGHT metres
MODOC HD											
18"	510	465	545	532	73,5°	72°	8°	68	115	420	165 - 176
20"	540	495	560	548	73°	73°	6,9°	68	135	420	176 - 190
MODOC											
18"	510	465	545	532	73,5°	73°	8°	68	125	405	165 - 176
20"	540	495	560	548	73°	73°	6,9°	68	145	405	176 - 190

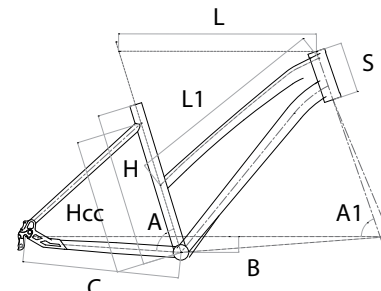
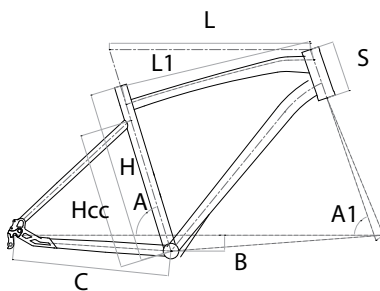


- H** Lunghezza tubo sella
Seat tube length
- HCC** Lunghezza tubo sella - centro/centro
Seat tube length - centre/centre
- L** Lunghezza virtuale orizzontale
Top tube length - virtual
- L1** Lunghezza virtuale reale
Top tube length - real
- B** Drop movimento centrale
Bottom bracket drop
- C** Lunghezza carro
Chainstay length
- A** Angolo canotto reggisella
Seat tube angle - actual
- A1** Angolo sterzo
Head tube angle
- S** Lunghezza tubo sterzo
Head tube length

HARDTAIL											
MODEL & SIZE	H mm	Hcc mm	L mm	L1 mm	A degrees	A1 degrees	A2 degrees	B mm	S mm	C mm	HEIGHT metres
MOJAG											
S (17")	425	365	583	557	73°	70,5°		63	100	437	160 - 175
M (19")	475	415	605	572	73°	71°		63	105	437	175 - 190
PATWIN											
S (17")	430	330	580	560	73,5°	70°		58	100	475	160 - 170
M (19")	480	360	600	582	73,5°	70°		58	110	475	170 - 185
L (21")	530	410	620	596	73,5°	70°		58	120	475	185 - 200
MIWOK											
XS (14")	355	305	545	529	72,5°	70,5°	48	48	100	450	140 - 155
S (16")	410	310	560	548	72,5°	70,5°	48	48	110	450	155 - 170
M (18")	460	340	582	563	72,5°	70,5°		48	120	450	170 - 180
L (20")	510	390	604	578	72,5°	71°		48	130	450	180 - 195



TREKKING											
MODEL & SIZE	H mm	Hcc mm	L mm	L1 mm	A degrees	A1 degrees	A2 degrees	B mm	S mm	C mm	HEIGHT metres
GUIPAGO											
Lady (44)	440	385	560	575	73°	71°	8,8°	45	145	445	
Man M (49)	490	435	570	548	73°	71°	8,8°	45	145	445	160 - 175
Man L (54)	540	485	580	564	73°	71°	3,4°	45	145	445	175 - 190



GARANZIA

I prodotti sono garantiti dal venditore secondo quanto previsto dalle attuali norme di legge vigenti. La garanzia può essere estesa di ulteriori 6 mesi con la registrazione del proprio acquisto su Atala.it. Non coperte da garanzia Atala tutti i componenti e le parti meccaniche per i quali vale la garanzia del fabbricante.

WARRANTY

Products are guaranteed by the dealer in accordance with the current Italian laws in force. Warranty can be extended of further 6 months by logging on the Atala website (atala.it). All the other mechanical parts or components are not included in this warranty but are under the manufacturer's warranty requested by the ISO and EN standards.

Prezzo di listino consigliato al pubblico, iva inclusa. Prezzi soggetti a modifiche da parte di Atala S.p.A.

The price included VAT and may be modified by Atala S.p.A.

Il peso della bici potrebbe variare in base alla taglia di circa il 5%.

The weight of the bike may vary according to the size by approximately 5%.

Whistle Bikes è un brand del Gruppo Atala S.p.A. che ne segue la distribuzione in Italia e nel Mondo attraverso una forte rete di vendita. L'elenco completo dei rivenditori di tutto il territorio italiano, è disponibile sul sito www.whistlebikes.com.

LISTINO PREZZI AL PUBBLICO ITALIA WHISTLE 2021

E-BIKE FULL SUSPENDED

B-RUSH C9.1



€ 6.099,00

B-RUSH C8.1



€ 5.299,00

B-RUSH C7.1



€ 4.699,00

B-RUSH C6.1



€ 4.499,00

B-RUSH C4.1



€ 4.099,00

B-RUSH A9.1



€ 4.149,00

B-RUSH A8.1



€ 3.949,00

B-RUSH A7.1



€ 3.699,00

B-RUSH A6.1



€ 3.299,00

B-RUSH A5.1



€ 2.999,00

E-BIKE HARDTAIL

B-RACE A9.1



€ 2.999,00

B-RACE A8.1



€ 2.699,00

B-RACE A7.1



€ 2.499,00

B-RACE A6.1



€ 2.299,00

B-RACE A5.1



€ 2.049,00

E-BIKE URBAN

SPEED URBAN C9.1



€ 5.499,00

SPEED URBAN C8.1
MAN



€ 4.999,00

SPEED URBAN C8.1
LADY



€ 4.999,00

MTB FULL SUSPENDED

COMANCHE



€ 3.299,00

NAVAJO



€ 3.299,00

MTB HARDTAIL

MOJAG 2161



€ 1.699,00

PATWIN 2159



€ 899,00

PATWIN 2160



€ 749,00

PATWIN 2161



€ 649,00

PATWIN 2162



€ 599,00

PATWIN 2163



€ 549,00

PATWIN 2164



€ 499,00

PATWIN 2165



€ 469,00

MIWOK 2159



€ 899,00

MIWOK 2160



€ 749,00

MIWOK 2161



€ 649,00

MIWOK 2162



€ 599,00

MIWOK 2163



€ 549,00

MIWOK 2164



€ 499,00

MIWOK 2165



€ 469,00

MODOC
GRX400



€ 1.199,00

MODOC
FLAT BAR HD SORA



€ 799,00

MODOC
FLAT BAR CLARIS



€ 599,00

GUIPAGO 2160
MAN



€ 609,00

GUIPAGO 2160
LADY



€ 609,00



WHISTLE

**RACING
BIKE
2021**

ATALA S.P.A.

Via della Guerrina, 108
20900 Monza (MB)
Tel. +39 039 2045311
Fax +39 039 2045300

www.whistlebikes.com



bikedesign.it

